

MA-19

Short-haul modem, point-to-point



- ⌘ Communication up to 18 km (11.81 mi)
- ⌘ Galvanic isolation
- ⌘ Transient suppression
- ⌘ Code independent/transparent
- ⌘ Transfer status signals
- ⌘ Ensures communication over long distances and in environments with high levels of interference
- ⌘ Reliable performance and function

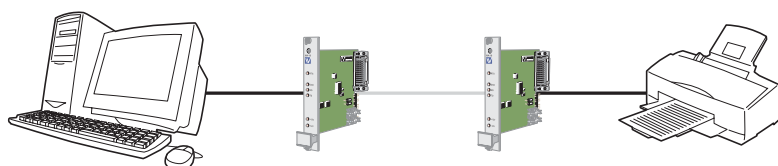
For Westermo W1 interface transmission characteristics see page 138

Field of application

Short-haul modems are used in point-to-point applications when the distance exceeds 15 metres (50 ft). The Westermo transmission technology (W1) makes it possible to communicate up to 18 km (11.81 mi) between modems. Equipment with an RS-232 interface can be connected and data rates up to 38.4 kbit/s are possible depending on the transmission range. All modems that have a W1 interface are compatible with each other.

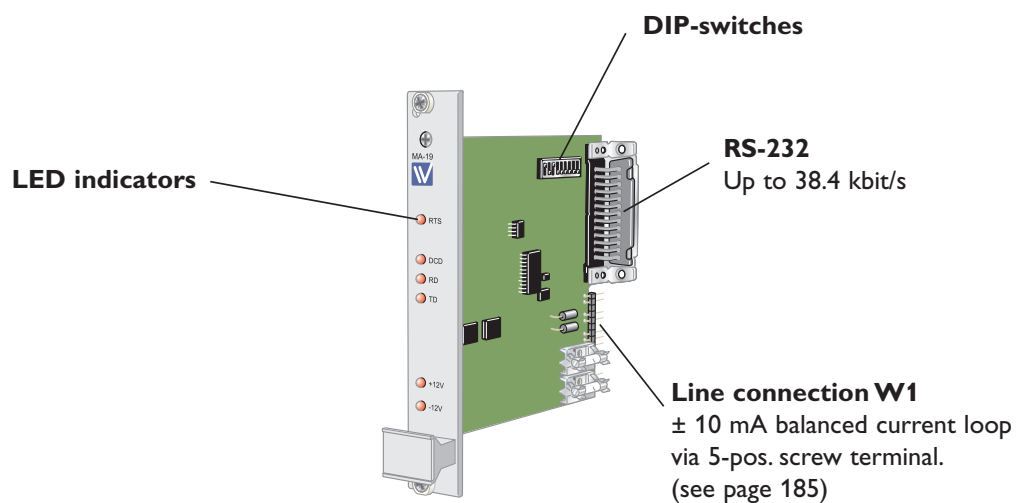
MA-19 is designed for installation in the Westermo rack (RV-01) which saves space when many modems are installed in the same location, for example, in a data processing centre.

Application



Also see application on page 55

Interface



Mechanical

Dimensions (H x D)	100 x 100 mm (3.94 x 3.94 in)
Weight	0.1 kg (0.22 lb)
Assembly	Rack

Power

	RV-01 via PS-02
Rated current	30 mA
Connection	PS-02